

Subminiature Fuse, 4.05 x 10 mm, Time-Lag T, 125 VAC, 125 VDC



125 VAC · 125 VDC · Time-Lag T



### Description

- Low Breaking Capacity

### References

[Packaging Details](#)

We recommend for new applications the type [SPT 3.6x10](#)

Last order date: 31.12.2013

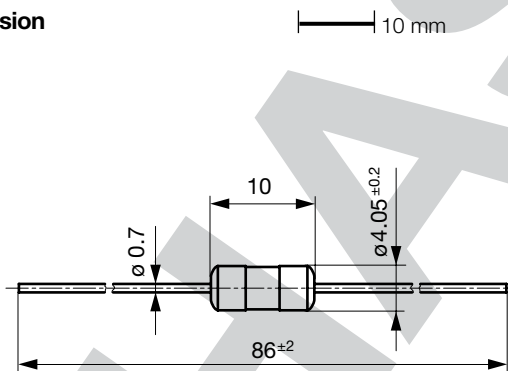
### Weblinks

[pdf-datasheet](#), [html-datasheet](#), [General Product Information](#), [Approvals](#), [CE declaration of conformity](#), [RoHS](#), [CHINA-RoHS](#), [REACH](#), [e-Shop](#), [SCHURTER-Stock-Check](#), [Distributor-Stock-Check](#), [Detailed request for product](#)

### Technical Data

Rated Voltage	65 - 125VAC, 65 - 125VDC	Soldering Methods	Wave
Rated current	0.125 - 10A	Solderability	235 °C / 2 sec acc. to IEC 60068-2-20, Test Ta, method 1
Breaking Capacity	40A - 100A	Resistance to Soldering Heat	260 °C / 5 sec acc. to IEC 60068-2-20, Test Tb, method 1A
Characteristic	Time-Lag T		
Admissible Ambient Air Temp.	-40 °C to 85 °C		
Climatic Category	40/085/56 acc. to IEC 60068-1		
Material: Tube	Ceramic		
Material: Axial Leads	Tin-Plated Copper		
Unit Weight	0.6 g		
Storage Conditions	0 °C to 60 °C, max. 70% r.h.		
Product Marking	, Current, Characteristic		

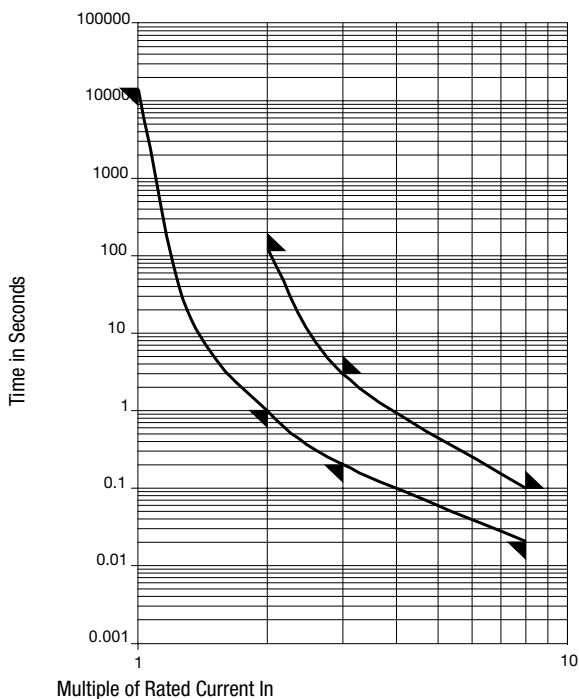
### Dimension



### Pre-Arcing Time

Rated Current In	1.0 x In min.	2.0 x In min.	2.0 x In max.	3.0 x In min.	3.0 x In max.	8.0 x In min.	8.0 x In max.
0.125 A - 10 A	4 h	1 s	120 s	200 ms	3 s	20 ms	100 ms

**Time-Current-Curves**



**All Variants**

Rated Current [A]	Rated Voltage [VAC]	Rated Voltage [VDC]	Breaking Capacity	Voltage Drop 1.0 In typ. [mV]	Melting I <sup>2</sup> t 10.0 Intyp. [A <sup>2</sup> s]	Order Number
0.125	125	125	1)	1200	0.024	7010.1607.xx
0.16	125	125	1)	900	0.038	7010.1608.xx
0.2	125	125	1)	480	0.092	7010.1609.xx
0.25	125	125	1)	320	0.13	7010.1610.xx
0.315	125	125	1)	190	0.16	7010.1611.xx
0.4	125	125	1)	170	0.2	7010.1612.xx
0.5	125	125	1)	155	0.4	7010.1613.xx
0.63	125	125	1)	140	0.64	7010.1614.xx
0.8	125	125	1)	110	1.3	7010.1615.xx
1	125	125	1)	110	2.1	7010.1616.xx
1.25	125	125	1)	90	3.7	7010.1617.xx
1.6	125	125	1)	80	4.4	7010.1618.xx
2.5	125	125	1)	75	13.5	7010.1620.xx
5	125	125	1)	75	60	7010.1623.xx
6.3	125	125	1)	70	94	7010.1624.xx
10	65	65	2)	70	260	7010.1626.xx

Availability for all products can be searched real-time: <http://www.schurter.com/en/Stock-Check/Stock-Check-SCHURTER>

- 1) 40 A @ 125 VDC  
50 A @ 125 VAC
- 2) 100 A @ 65 VAC/VDC

**Packaging Unit**

- .xx = .12 Plastic Bag (50 pcs.)
- .xx = .46 Taped 19 cm Reel (1000 pcs.)