

Kabeltülle PG12, Socket, solder terminal, insulated, 7.5 mm, 6-pole, straight, UK-Connector



Description

- Solder terminal :
Screw-on mounting , from rear-side
- Data and Signal transfer
- Data and Signal Connectors 6-pole , insulated , straight
- Reinforced gold plating for increased insertions

References

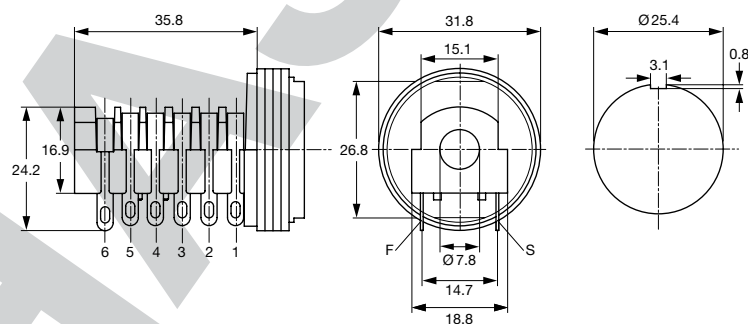
Last order date: 30.06.2016

Technical Data

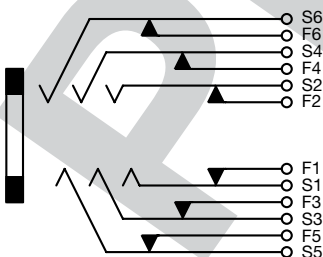
Diameter	7.5 mm	Allowable Operation Temperature	-20 °C to 70 °C
Number of Poles	6-pole	Terminal	solder terminal
Ratings DC	2A / 12VDC	Mounting	Screw-on mounting wall thickness max. 7.6 mm
Ratings AC	2A / 12VAC	Housings	insulated
Dielectric Strength	1000VDC	Style	straight
Insulation Resistance	> 10000 MΩ @ 500VDC	Lifetime	10000 Insertions

Detailed information on product approvals, code requirements, usage instructions and detailed test conditions can be looked up in [General Product Information](#)

Dimensions



Diagrams



All Variants

Product group	Diameter [mm]	Number of Poles	Terminal	Order Number
Data and Signal Plug/ Sockets	7.5	6-pole	solder terminal	4804.2610

Availability for all products can be searched real-time:<http://www.schurter.com/en/Stock-Check/Stock-Check-SCHURTER>

Packaging unit 100 Pcs

PHASE-OUT