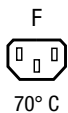


IEC Appliance Inlet C14 with Appliance Outlet F, Line Switch 2-pole and Voltage Selector

**Description**

- Panel Mount:
Snap-in version from rear-side
- 4 Functions:
Appliance Inlet Protection class I, Connector Protection class I, Line Switch 1- or 2-pole, with or without voltage selector (Jumper)

Approvals

- VDE Certificate Number: 6090
- UL File Number: E96454
- CSA File Number: 38456

Characteristics

- Short Mounting Depth
- All single elements are already wired except voltage selector
- Line switch non-illuminated
- Voltage selector for two voltage ranges
- Insulation cover on the rear-side
- Especially suitable for use in switching power supplies
- Qualified for use in equipment according IEC/EN 60950

Other versions on request

- Panel thickness 1.0 mm and 1.2 mm
- Unwired (without pc-board), with pin-terminals
- Wired (with pc-board), with flexible wires
- Line switch with other rocker marking
- Without cover
- Voltage selector with other marking

References

This type is Phase-out without alternate type
Last order date: 30.04.2011

Weblinks

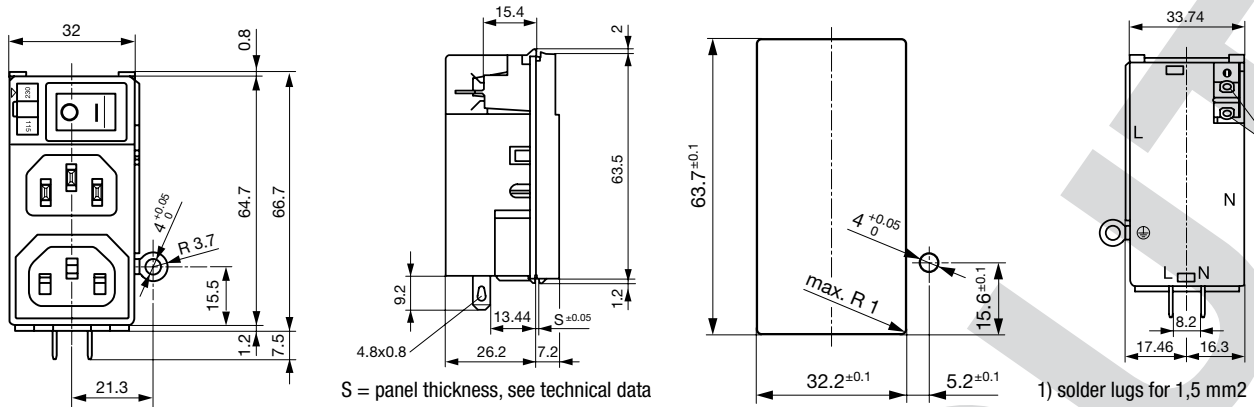
[pdf](#), [html](#), [General Product Information](#), [Approvals](#), [RoHS](#), [CHINA-RoHS](#), [Mating Connectors](#), [e-Shop](#), [SCHURTER-Stock-Check](#), [Distributor-Stock-Check](#), [Accessories](#), [Detailed request for product](#)

Technical Data

Ratings IEC	10A / 250VAC; 50Hz
Ratings UL/CSA	10A / 250VAC; 60Hz
Dielectric Strength	> 2.5kVAC between L-N > 3kVAC between L/N-PE (1 min/50Hz)
Allowable Operation Temp.	-25°C to 70°C
Degree of Protection	from front side IP 40 acc. to IEC 60529
Protection Class	Suitable for appliances with protection class 1 acc. to IEC 61140
Terminal	Quick connect terminals 4.8 x 0.8 mm Solder terminal on request Solder terminals on voltage selector
Panel Thickness s	Snap-in: 0.8/1.5 mm (other on request)
Material: Housing	Thermoplastic, black, UL 94V-2

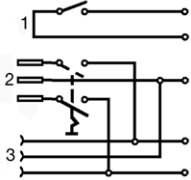
Appliance Inlet / Appliance Outlet	C14 acc. to IEC/EN 60320-1 and F acc. to IEC/EN 60320-2-2, UL 498, CSA C22.2 no. 42 (for cold conditions) pin-temperature 70 °C, 10A, Protection Class 1
Line Switch	Rocker switch 1 or 2 pole, non-illuminated, acc. to IEC 61058-1 Technical Details
Voltage Selectors	optional jumper, 2 pos.

Dimensions



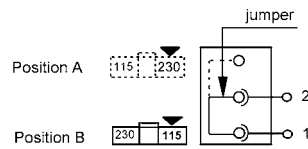
Diagrams

Version: line switch 2-pole



- 1) voltage selector
- 2) appliance-inlet
- 3) appliance-outlet

Voltage selector



Variants

- Basic version:
- Marking of the voltage selector 115/230
 - with cover on the rear-side

Panel Thickness s [mm]	Line Switch	Voltage Selectors	Order Number
0.8	1-pole		4307.3001
1.5	1-pole		4307.3004
0.8	1-pole	●	4307.3211
1.5	1-pole	●	4307.3214
0.8	2-pole		4307.4001
1.5	2-pole		4307.4004
0.8	2-pole	●	4307.4211
1.5	2-pole	●	4307.4214

Packaging unit 250 Pcs

Mating Inlets/Plugs

Category / Description

[Interconnection Cord Overview complete](#)



Interconnection Cord with IEC Plug E, Angled	0607
Interconnection Cord with IEC Plug E, Angled	0608
Interconnection Cord with IEC Plug E, Straight	0609
Interconnection Cord with IEC Plug G, Angled	607B
Interconnection Cord with IEC Plug G, Angled	608B

[Interconnection Cord further types toPMM](#)

...



Plug Overview complete

IEC Plug E, Cord Connector (Rewireable), Straight, max. cable Diameter 8.5 mm	4732
IEC Plug E, Cord Connector (Rewireable), Angled, max. Cable Diameter 8.5 mm	4733
IEC Plug E, Cord Connector (Rewireable), Straight, max. Cable Diameter 10 mm	4735
IEC Plug E, Cord Connector (Rewireable), Angled, max. Cable Diameter 10 mm	4736
IEC Plug E, Cord Connector (Rewireable), Straight	9009

[Plug further types toPMM](#) ...

Mating Outlets/Connectors



Appliance Outlet Overview complete

IEC Appliance Outlet F, Screw-on Mounting, Front Side, Solder Terminal	4787
IEC Appliance Outlet F, Snap-in Mounting, Front Side, Solder or Quick-connect Terminal	4788
IEC Appliance Outlet F or H, Screw-on Mounting, Front Side, Solder, PCB or Quick-connect Terminal	5091
IEC Appliance Outlet F or H, Screw-on Mounting, Front Side, Solder or Quick-connect Terminal	5092

[Appliance Outlet further types toPMM](#)



Connector Overview complete

IEC Connector C15, Rewireable, Straight	0101
IEC Connector C15A, Rewireable, Straight	0102
IEC Connector C15A, Rewireable, Straight	0102-G
IEC Connector C15A, Rewireable, Angled	0112
IEC Connector C13, Rewireable, Angled	4012

[Connector further types toPMM](#) ...



Power Cord Overview complete

Power Cord with IEC Connector C13, Angled	0311
Power Cord with IEC Connector C13, Angled	3011
Power Cord with IEC Connector C13, Angled	3012
Power Cord with IEC Connector C13, Angled	3013
Power Cord with IEC Connector C13	3020

[Power Cord further types toPMM](#) ...